

Daytripper Table

YellaWood
Pressure Treated Pine

The perfect complement to the daytripper chair plan, this table folds nearly flat for easy storage or transport. The gentle curves and use of pivot and lock dowels give this project an air of elegant craftsmanship that belies its simplicity in construction.

You might want to make templates for the legs and stretchers, because once your friends see this table in action, they'll want you to build them one – or more!

BUILD TIME

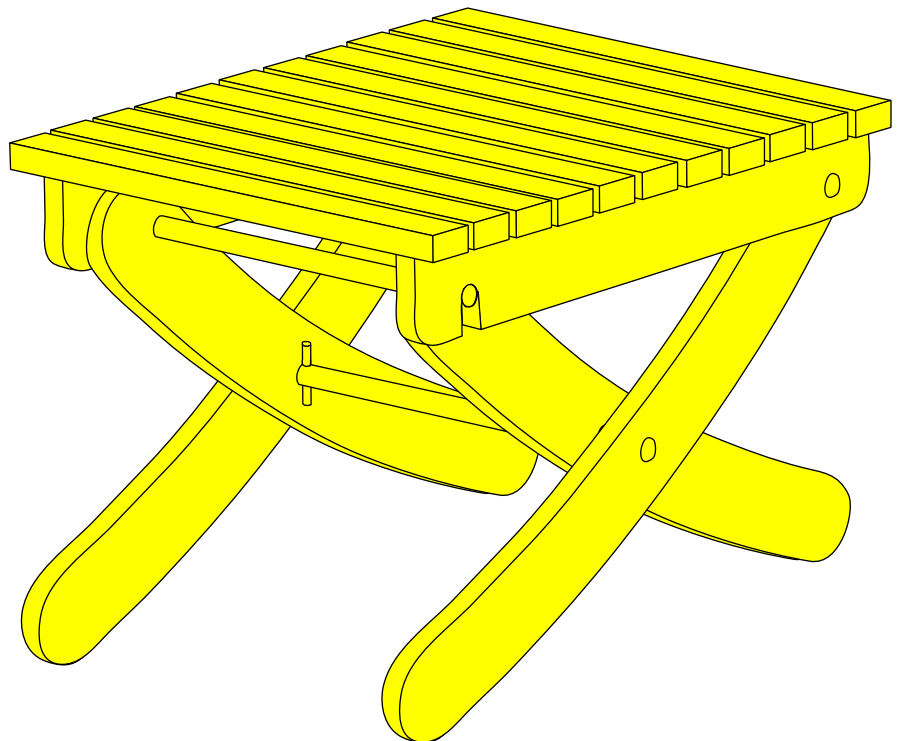
Cutting parts: 2 – 3 hours

Assembly: 1 – 2 hours

Finishing: 2 – 3 hours

Total: 5 – 8 hours

*Note: Drill pilot holes for all screws



Daytripper Table

YellaWood
Pressure Treated Pine

TOOLS

Miter saw or circular saw
Table saw
Jig saw
Drill/driver
Compass
Clamps
1/16" and 1/8" drill bits
7/8" spade bit
Hammer
Nail set
Damp rag to wipe up excess glue
Paint/Stain Brush

SUPPLIES

(3) 1 x 6 x 8'
3/4" x 72" hardwood dowel
1/4" x 12" hardwood dowel
1 1/2" deck screws
6d galvanized finish nails
Waterproof wood glue
YellaWood Protector® Stain & Sealer

CUT LIST

A	(4)	3/4 x 4 x 25"
B	(2)	3/4 x 2 3/4 x 21 1/2"
C	(11)	3/4 x 1 3/4 x 16 1/2"
D	(1)	3/4 dia. x 13"
E	(2)	3/4 dia. x 14 5/8"
F	(2)	1/4 dia. x 1 3/4"

A



B



C



D



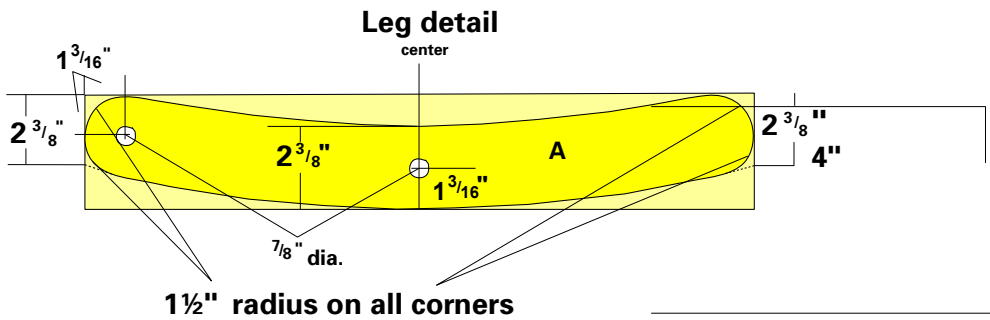
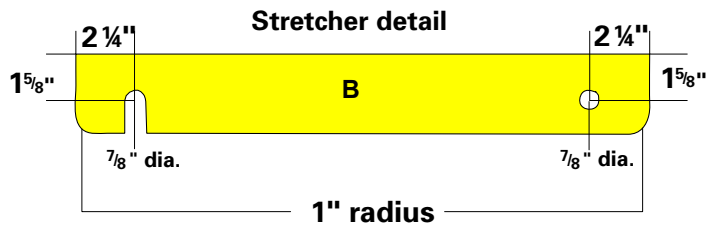
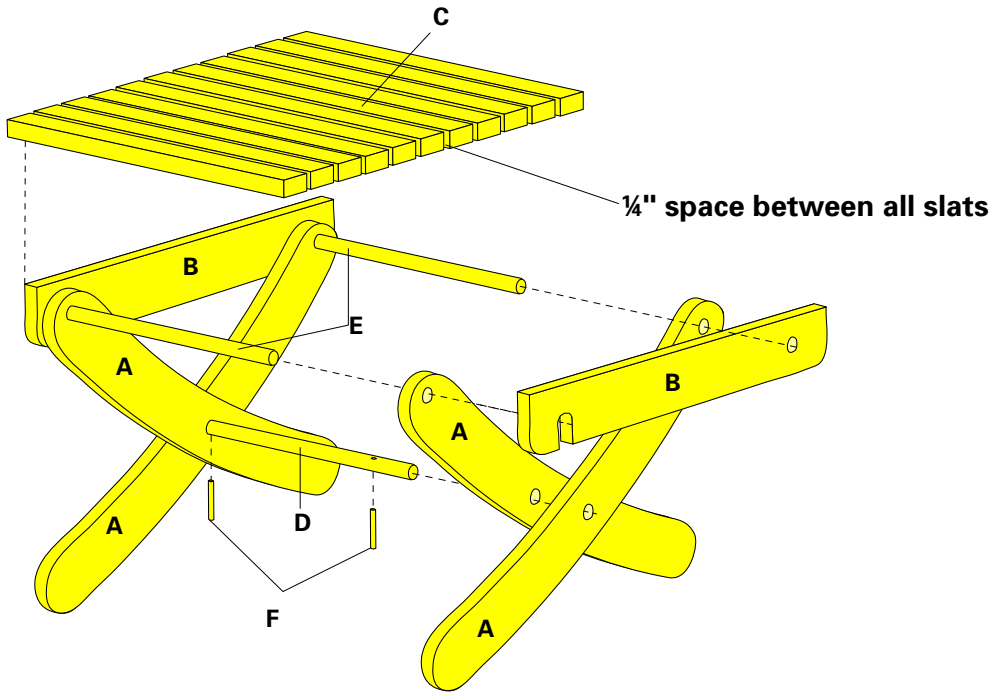
E



F X 2



Daytripper Table

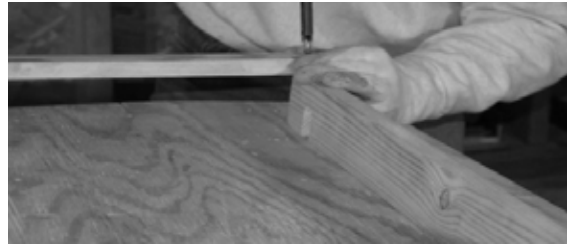


Daytripper Table

YellaWood
Pressure Treated Pine

BUILDING STEPS

01 Cut the legs (A) and stretchers (B) to length according to the cut list. Lay out the curves and mark the center points for all holes to be drilled (see special instructions "How to lay out curves"). For the $\frac{1}{2}$ " radius corners on the stretchers (B), simply trace the outline of a 25-cent piece. The radius on the legs (A) must be at least 1" to allow the legs to fold easily into one another. You can use a compass to get the exact measurement you want, or simply trace the bottom of a glue bottle or any other round object that measures more than 2" in diameter. Cut the curves, drill the holes and make the slots in all pieces. You can clamp 2 pieces together and cut them at the same time, or make a hardboard template to keep and use for future projects.



02 Rip your remaining 1 x 6 stock to $1\frac{3}{4}$ " wide and cut 11 slats (C) 16 $\frac{1}{2}$ " long. Place one slat on top of the stretchers (B) at the end with the slot (not the hole) and attach with glue and screws. Leave $\frac{1}{2}$ " overhang on the front edge and 1" on either end.



03 Cut all dowels to length, turn the stretchers/one slat assembly over and slip one table dowel (E) through the outer legs and stretchers at the end opposite the attached slat. Make sure the dowel ends are flush with the outside face of the stretchers and attach with glue and 6d finish nail (drill a $\frac{1}{16}$ " pilot hole through the edge of the stretcher and into the dowel, then drive the nail below edge surface of the stretcher with a nail set).



04 Attach remaining slats (C) with glue and screws, making sure the slats are square to the stretchers and the edges line up. Use $\frac{1}{4}$ " spacer blocks to keep gaps consistent.

Daytripper Table

YellaWood
Pressure Treated Pine

BUILDING STEPS

- 05** Turn the assembly over and attach the inner legs by setting them between the outer legs and sliding the pivot dowel (D) through the center dowel holes in all 4 legs. Attach remaining table dowel (E) by inserting it through the dowel holes in the inner legs. Pin dowel (E) to the inner legs and the pivot dowel (D) to the outer legs with glue and galvanized finish nails.



- 06** Install lock dowels (F) through the pivot dowel (D). Place a piece of folded paper between the legs on either side to leave enough space for easy movement during opening and closing, then drill $\frac{1}{4}$ " holes through the pivot dowel. Coat the lock dowels with glue, insert them into the $\frac{1}{4}$ " holes and pin them in place with finish nails.



- 07** Sand all edges and surfaces, and apply a waterproof finish according to manufacturer specifications. Your table is ready to set on your deck or be folded away for transport and easy storage!



- 08** We recommend long lasting YellaWood Protector® semi-transparent stain and water repellent wood sealer, the only stain backed by the famous Yella Tag. Follow manufacturer's recommendations for application.



TIP: This is one of those projects that may be more easily sanded and finished without all the pieces connected. If you choose this method, do an initial assembly without glue to make sure all pilot holes and edges line up and appear to your liking. Then disassemble, sand smooth, and reassemble with glue and screws.

FASTENER AND HARDWARE INFORMATION SHEET

YellaWood®
Pressure Treated Pine

For interior or exterior applications

Use fasteners and hardware that are in compliance with the manufacturer's recommendations and the building codes for their intended use. As with any good design and construction practices, treated wood should not be used in applications where trapped moisture or water can occur. Where design and/or actual conditions allow for constant, repetitive or long periods of wet conditions, only stainless steel fasteners should be used.

For exterior applications

The following minimum galvanization levels may be used for connectors, joist hangers, fasteners and other hardware that are placed in direct contact with exterior applications of micronized copper treated wood:

- **Fasteners** - nails, screws, etc.
ASTM – A 153 (1 oz/ft²)
- **Hardware** - connectors, joist hangers, etc.
ASTM – A 653 G90 (0.90 oz/ft²)

The effects of other building materials within a given assembly, along with environmental factors, should also be considered when selecting the appropriate hardware and fasteners to use for a given project containing treated wood.

Stainless Steel fasteners and hardware are required for Permanent Wood Foundations below grade and are recommended for use with treated wood in other severe exterior applications such as swimming pools, salt water exposure, etc. - Type 304 and 316 are recommended grades to use.

Aluminum building products may be placed in direct contact with YellaWood® brand products used for interior uses and above ground exterior applications such as decks, fencing, and landscaping projects. Examples of aluminum products include siding, roofing, gutters, door and window trim, flashing, nails, fasteners and other hardware connectors. However, direct contact of treated products and aluminum building products should be limited to code-compliant construction applications that provide proper water drainage and do not allow the wood to be exposed to standing water or water immersion.

We recommend you contact the aluminum building products manufacturer for its recommendations regarding use of its aluminum products in contact with treated wood in ground contact applications or when exposed to salt water, brackish water, or chlorinated water, such as swimming pools or hot tubs.

Also check with the aluminum building products manufacturer regarding compatibility with other chemicals and cleaning agents. Contact Osmose for further information on aluminum contact use and the use of aluminum products in commercial, industrial, and specialty applications such as boat construction.

YellaWood® brand pressure treated products are treated with preservatives (the "Preservatives") and preservative methods and technologies of unrelated third parties. For details regarding the Preservatives, methods, and technologies used by Great Southern Wood Preserving, Incorporated, see www.yellowood.com/preservative or write us at P.O. Box 610, Abbeville, AL 36310. Ask dealer for warranty details. For warranty or for important handling and other information concerning our products including the appropriate Safety Data Sheet (SDS), please visit us at www.yellowood.com/warranties or write us at P.O. Box 610, Abbeville, AL 36310. YellaWood®, YellaWood Protector® and the yellow tag are federally registered trademarks of Great Southern Wood Preserving, Incorporated.

Great Southern Wood Preserving, Incorporated makes no warranties expressed or implied as to the fitness for a particular purpose of this plan.

IMPORTANT INFORMATION

YellaWood®
Pressure Treated Pine

- Consult the end tag to determine which preservative or preservative system was used in the treatment of that particular product. YellaWood® brand products may be used in direct contact with aluminum building products when limited to code-compliant construction applications that provide proper water drainage and do not allow the wood to be exposed to standing water or water immersion.
- Use fasteners and other hardware that are in compliance with building codes for the intended use.
- Do not burn preserved wood.
- Wear a dust mask and goggles when cutting or sanding wood.
- Wear gloves when working with wood.
- Some preservative may migrate from the treated wood into soil/water or may dislodge from the treated wood surface upon contact with skin.
- Wash exposed skin areas thoroughly.
- All sawdust and construction debris should be cleaned up and disposed of after construction.
- Wash work clothes separately from other household clothing before reuse.
- Preserved wood should not be used where it may come into direct or indirect contact with drinking water, except for uses involving incidental contact such as fresh water docks and bridges.
- Do not use preserved wood under circumstances when the preservative may become a component of food, animal feed or beehives.
- Do not use preserved wood as mulch.
- Only preserved wood that is visibly clean and free of surface residue should be used.
- If the wood is to be used in an interior application and becomes wet during construction, it should be allowed to dry before being covered or enclosed.
- If you desire to apply a paint, stain, clear water repellent or other finish to your preservative-treated wood, we recommend following the manufacturer's instructions and label of the finishing product. Before you start, we recommend you apply the finishing product to a small exposed test area before finishing the entire project to ensure it provides the intended result before proceeding.
- Mold growth can and does occur on the surface of many products, including untreated and treated wood, during prolonged surface exposure to excessive moisture conditions. To remove mold from the treated wood surface, wood should be allowed to dry. Typically, mild soap and water can be used to remove remaining surface mold. For more information visit www.epa.gov.
- Projects should be designed and installed in accordance with federal, state and local building codes and ordinances governing construction in your area, and in accordance with the National Design Specifications (NDS) and the Wood Handbook.

Disposal Recommendations:

Preserved wood may be disposed of in landfills or burned in commercial or industrial incinerators or boilers in accordance with federal, state and local regulations.