

Adirondack Table

YellaWood
Pressure Treated Pine

This simple little table is easy and fun to build. With butt joints and waterproof glue, you'll spend very little time building this project compared with how long you'll be able to enjoy it.

The end pieces mimic the seat back profile of the Adirondack chair featured in another plan on this site. And when combined with the Adirondack footstool also on this site, you'll have a complete Adirondack furniture suite. Your only problem may be how many of them you'll have to build to keep your family and friends as comfortable as you will be.

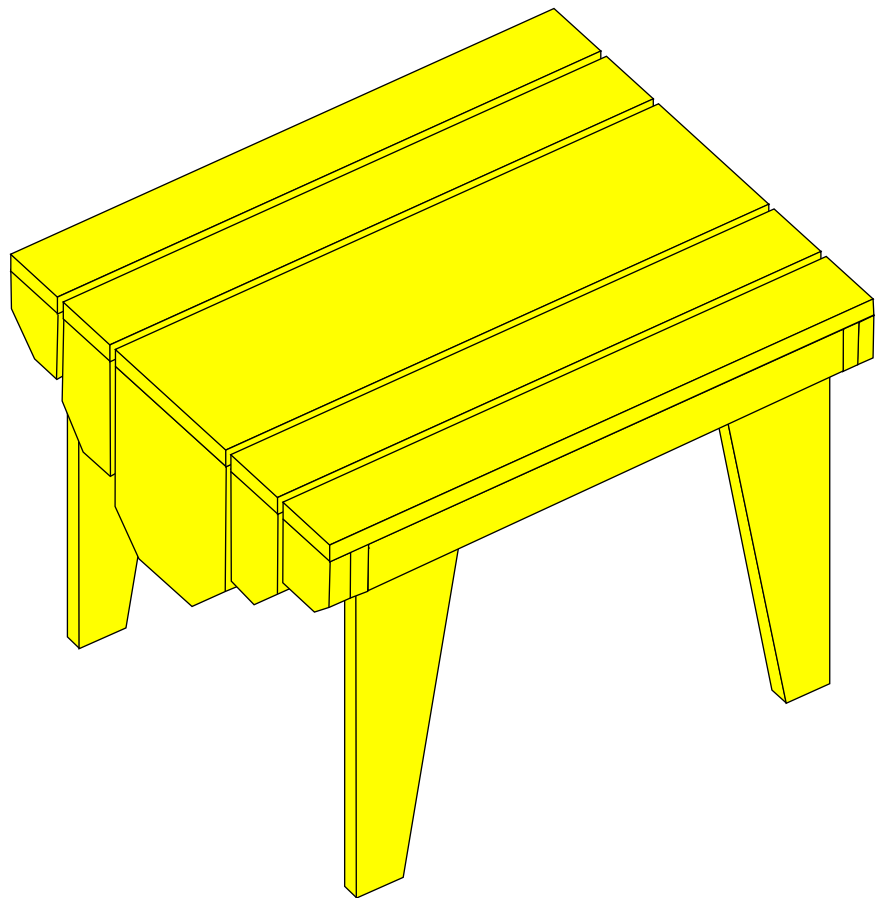
BUILD TIME

Cutting parts: 1 – 2 hours

Assembly: 2 hours

Finishing: 2 hours

Total: 5 – 6 hours



Adirondack Table

YellaWood
Pressure Treated Pine

TOOLS

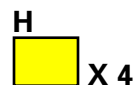
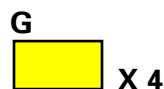
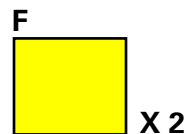
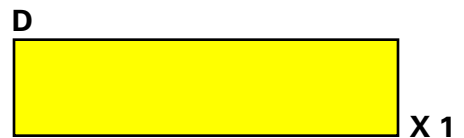
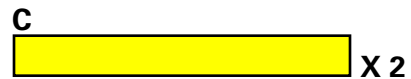
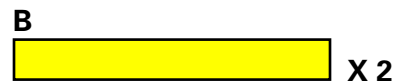
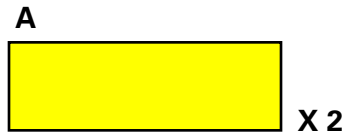
Miter saw
Table saw
Drill/driver
¼" drill bit
Damp rag to wipe up excess glue
Paint/Stain Brush

SUPPLIES

(1) 1 x 8 x 8'
(1) 1 x 6 x 8'
(1) 1 x 4 x 8'
1 ¼" deck screws
Waterproof wood glue
YellaWood Protector® Stain & Sealer

CUT LIST

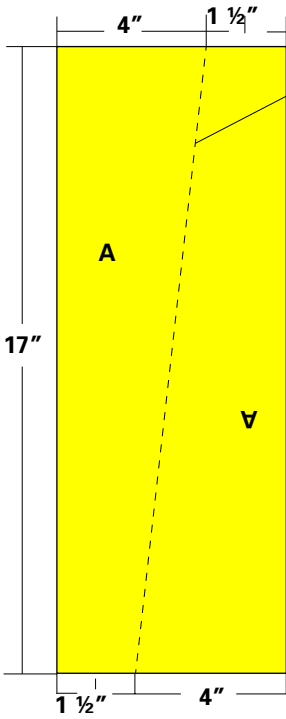
A	(2)	¾ x 5 ½ x 17"
B	(2)	¾ x 2 ½ x 19 ¾"
C	(2)	¾ x 2 ½ x 21"
D	(1)	¾ x 6 x 24"
E	(4)	¾ x 3 x 24"
F	(2)	¾ x 6 x 7"
G	(4)	¾ x 3 x 5 ½"
H	(4)	¾ x 3 x 4"



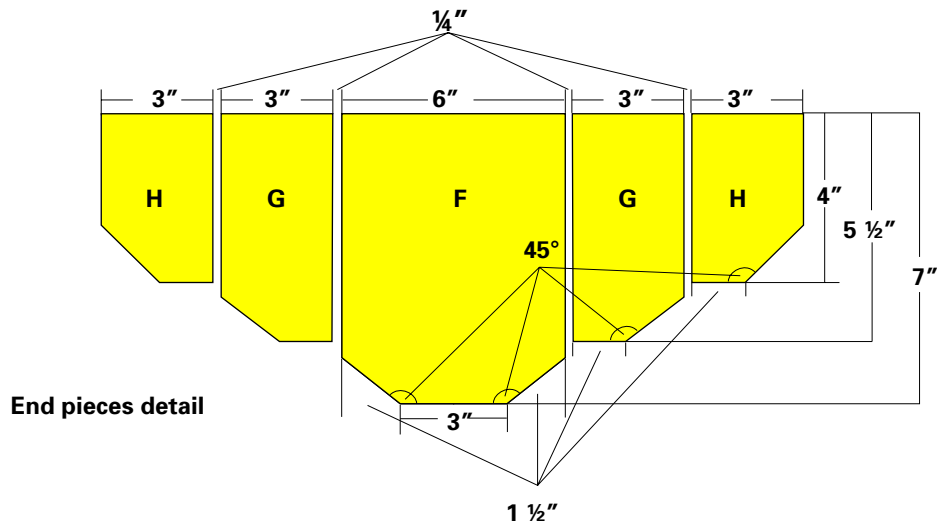
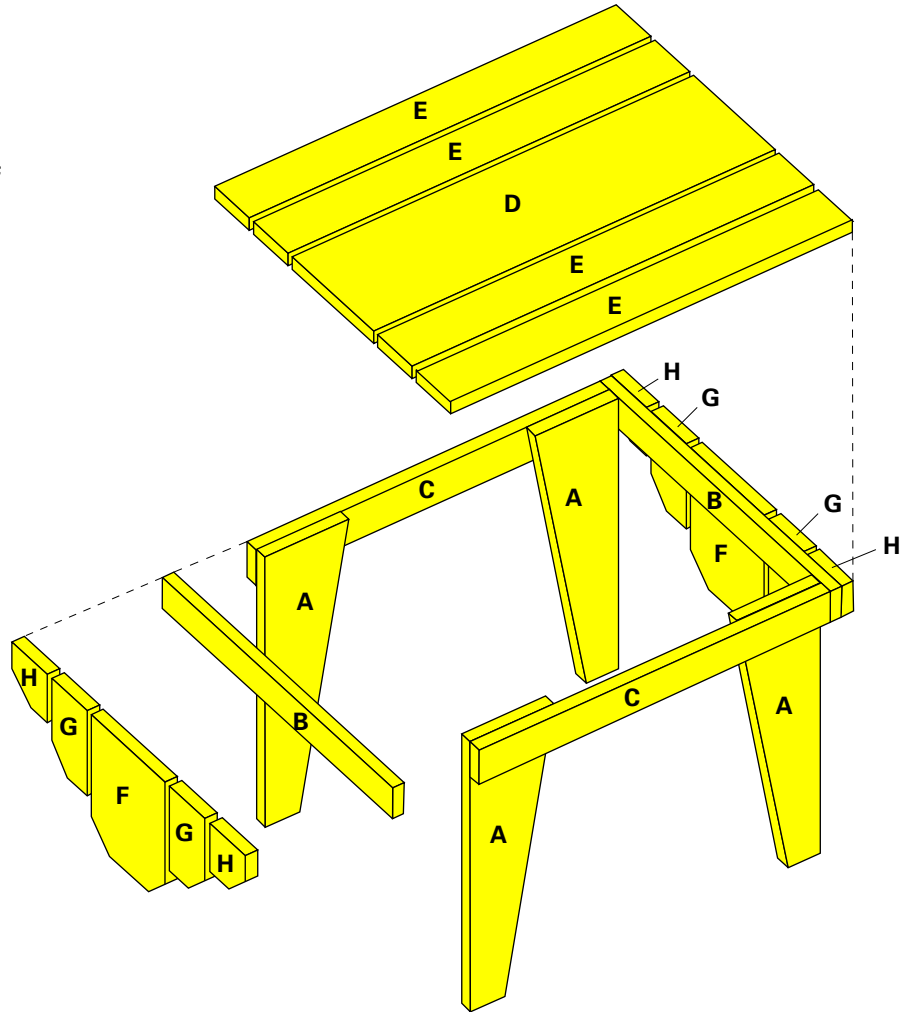
Adirondack Table



Leg detail



Cut here to make a pair of legs from one 1 x 6, repeat for a set of four legs



End pieces detail

Adirondack Table

YellaWood
Pressure Treated Pine

BUILDING STEPS

- 01** Cut two pieces of 1 x 6 to 17" and measure and mark to cut a pair of legs (A) from each piece, ending up with four legs total (see detail drawing for measurements).



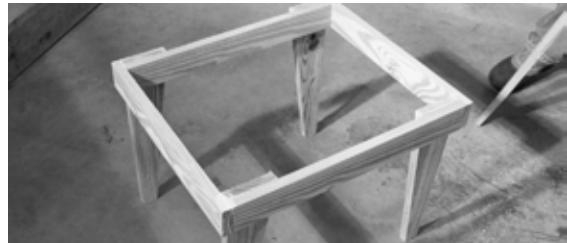
- 02** Cut the end (B) and side (C) rails to the dimensions on the cut list.



- 03** Attach the legs (A) to the side rails (C) with 1 ¼" deck screws, keeping the top and outside edges flush.



- 04** Attach end rails (B) to leg/rail assembly with 1 ¼" screws, again keeping tops and outside edges flush.



- 05** Cut the tabletop pieces (D and E) to dimensions on the cut list. They should measure 1 ½" longer than the length from one end rail to the other (leaving ¾" overhang on both ends to meet flush with end pieces). Lay them out on your table top with ¼" spacers between each slat.



Adirondack Table

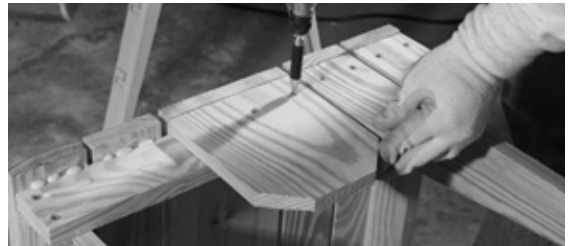
YellaWood®
Pressure Treated Pine

BUILDING STEPS

- 06** Use a scrap piece to make sure your overhang is exactly $\frac{3}{4}$ " on both ends, drill pilot holes in the top slats and attach to the end rails with glue and screws.



- 07** Cut the end pieces (F, G and H) according to dimensions on the cut list. Refer to illustration for layout of 45° cuts. Place them on the end rails, lining them up with the top slats and keeping the tops tight underneath the slats. Attach with glue and screws.



- 08** Wipe away all excess glue and drips, sand everything smooth.



- 09** We recommend long lasting YellaWood Protector® semi-transparent stain and water repellent wood sealer, the only stain backed by the famous Yella Tag. Follow manufacturer's recommendations for application.



TIP: Always drill $\frac{1}{8}$ " pilot holes before driving any screws to avoid splitting the material.

FASTENER AND HARDWARE INFORMATION SHEET

YellaWood®
Pressure Treated Pine

For interior or exterior applications

Use fasteners and hardware that are in compliance with the manufacturer's recommendations and the building codes for their intended use. As with any good design and construction practices, treated wood should not be used in applications where trapped moisture or water can occur. Where design and/or actual conditions allow for constant, repetitive or long periods of wet conditions, only stainless steel fasteners should be used.

For exterior applications

The following minimum galvanization levels may be used for connectors, joist hangers, fasteners and other hardware that are placed in direct contact with exterior applications of micronized copper treated wood:

- **Fasteners** - nails, screws, etc.
ASTM – A 153 (1 oz/ft²)
- **Hardware** - connectors, joist hangers, etc.
ASTM – A 653 G90 (0.90 oz/ft²)

The effects of other building materials within a given assembly, along with environmental factors, should also be considered when selecting the appropriate hardware and fasteners to use for a given project containing treated wood.

Stainless Steel fasteners and hardware are required for Permanent Wood Foundations below grade and are recommended for use with treated wood in other severe exterior applications such as swimming pools, salt water exposure, etc. - Type 304 and 316 are recommended grades to use.

Aluminum building products may be placed in direct contact with YellaWood® brand products used for interior uses and above ground exterior applications such as decks, fencing, and landscaping projects. Examples of aluminum products include siding, roofing, gutters, door and window trim, flashing, nails, fasteners and other hardware connectors. However, direct contact of treated products and aluminum building products should be limited to code-compliant construction applications that provide proper water drainage and do not allow the wood to be exposed to standing water or water immersion.

We recommend you contact the aluminum building products manufacturer for its recommendations regarding use of its aluminum products in contact with treated wood in ground contact applications or when exposed to salt water, brackish water, or chlorinated water, such as swimming pools or hot tubs.

Also check with the aluminum building products manufacturer regarding compatibility with other chemicals and cleaning agents and the use of their aluminum products in commercial, industrial, and specialty applications such as boat construction.

YellaWood® brand pressure treated products are treated with preservatives (the "Preservatives") and preservative methods and technologies of unrelated third parties. For details regarding the Preservatives, methods, and technologies used by Great Southern Wood Preserving, Incorporated, see www.yellowood.com/preservative or write us at P.O. Box 610, Abbeville, AL 36310. Ask dealer for warranty details. For warranty or for important handling and other information concerning our products including the appropriate Safety Data Sheet (SDS), please visit us at www.yellowood.com/ warranties or write us at P.O. Box 610, Abbeville, AL 36310. YellaWood®, YellaWood Protector® and the yellow tag are federally registered trademarks of Great Southern Wood Preserving, Incorporated.

Great Southern Wood Preserving, Incorporated makes no warranties expressed or implied as to the fitness for a particular purpose of this plan.

IMPORTANT INFORMATION

YellaWood®
Pressure Treated Pine

- Consult the end tag to determine which preservative or preservative system was used in the treatment of that particular product. YellaWood® brand products may be used in direct contact with aluminum building products when limited to code-compliant construction applications that provide proper water drainage and do not allow the wood to be exposed to standing water or water immersion.
- Use fasteners and other hardware that are in compliance with building codes for the intended use.
- Do not burn preserved wood.
- Wear a dust mask and goggles when cutting or sanding wood.
- Wear gloves when working with wood.
- Some preservative may migrate from the treated wood into soil/water or may dislodge from the treated wood surface upon contact with skin.
- Wash exposed skin areas thoroughly.
- All sawdust and construction debris should be cleaned up and disposed of after construction.
- Wash work clothes separately from other household clothing before reuse.
- Preserved wood should not be used where it may come into direct or indirect contact with drinking water, except for uses involving incidental contact such as fresh water docks and bridges.
- Do not use preserved wood under circumstances when the preservative may become a component of food, animal feed or beehives.
- Do not use preserved wood as mulch.
- Only preserved wood that is visibly clean and free of surface residue should be used.
- If the wood is to be used in an interior application and becomes wet during construction, it should be allowed to dry before being covered or enclosed.
- If you desire to apply a paint, stain, clear water repellent or other finish to your preservative-treated wood, we recommend following the manufacturer's instructions and label of the finishing product. Before you start, we recommend you apply the finishing product to a small exposed test area before finishing the entire project to ensure it provides the intended result before proceeding.
- Mold growth can and does occur on the surface of many products, including untreated and treated wood, during prolonged surface exposure to excessive moisture conditions. To remove mold from the treated wood surface, wood should be allowed to dry. Typically, mild soap and water can be used to remove remaining surface mold. For more information visit www.epa.gov.
- Projects should be designed and installed in accordance with federal, state and local building codes and ordinances governing construction in your area, and in accordance with the National Design Specifications (NDS) and the Wood Handbook.

Disposal Recommendations:

Preserved wood may be disposed of in landfills or burned in commercial or industrial incinerators or boilers in accordance with federal, state and local regulations.